

Conveyor system FK

F45

FT

FS

FL

FLP

F65

FM

FMP

F85

F85P

FH

FK

FKP

FB140

FB175

FB295

SPIRAL

FW

FLX

FMX

FHX

FBX175

FBX295

ACC

CA

FC

TOOL

IDX

Contents

Chains 3

Conveyor beam 6

End drive units 8

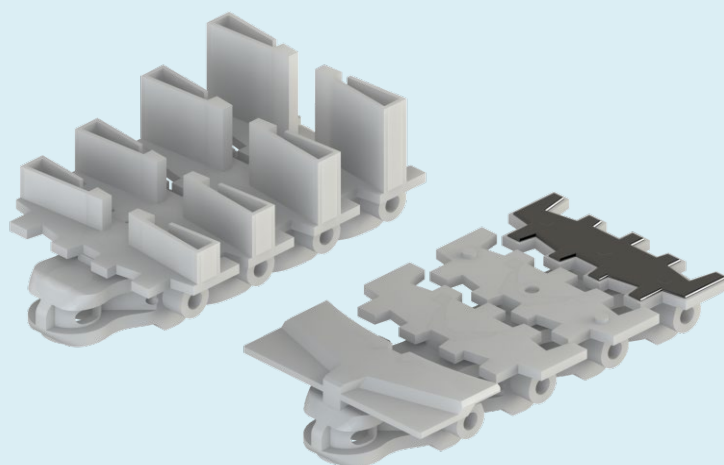
Idler unit 10

Horizontal wheel bends 12

Horizontal plain bends 14

Vertical bends 16

Chains



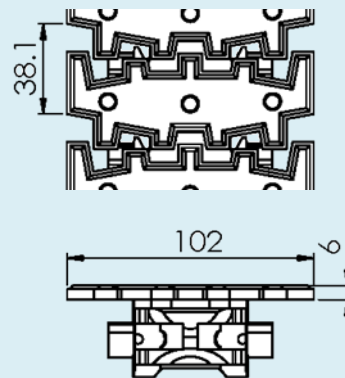
Chains

			F45
<i>Plain chain</i>			FT
FKTP 5	Plain chain Length 5 mt		FS
FKTL 102	Plain link		FL
			FLP
			F65
			FM
			FMP
FKTP 5A	Closed top chain Length 5 mt		F85
FKTL 102A	Closed link		F85P
			FH
			FK
			FKP
			FB140
			FB175
			FB295
<i>Universal chain</i>			SPIRAL
FKTF 5U...	Plain chain Length 5 mt		FW
FKTL 102U	Plain link		FLX
			FMX
			FHX
			FBX175
			FBX295
			ACC
<i>Cleated chain</i>			CA
Type A Length 5 mt			FC
FKTF 5X15A...	H=15 mm		TOOL
FKTF 5X20A...	H=20 mm		IDX
FKTF 5X30A...	H=30 mm		
FKTF 5X40A...	H=40 mm		
Cleated link			
FKTL 102X15A	H=15 mm		
FKTL 102X20A	H=20 mm		
FKTL 102X30A	H=30 mm		
FKTL 102X40A	H=40 mm		

Chains

FKTP 5TF Plain chain
Length 5 mt

FKTL 102TF Plain link



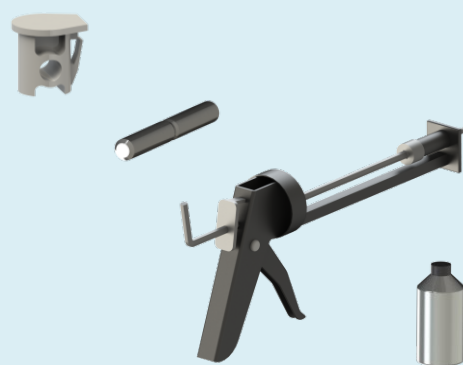
Tools and accessories

FKTT 22X24 Plastic pivot

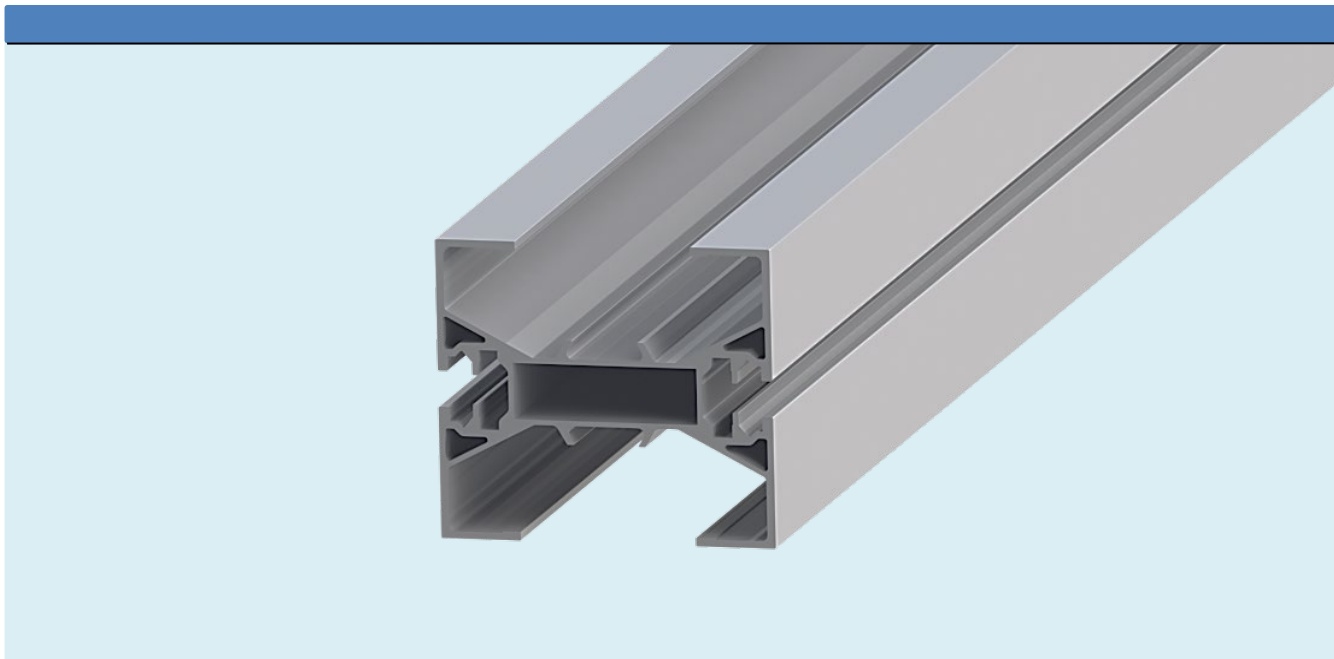
FKTD 8X62 Steel pin

FKMJ 8 Pin insertion tool

FDSS 450 Silicone-based
lubricant

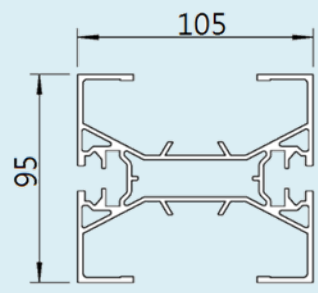
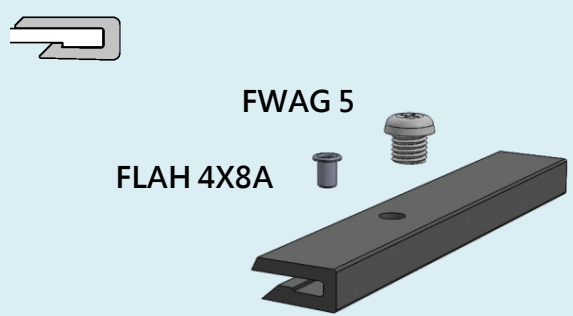
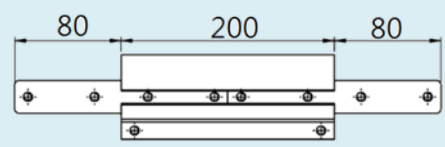
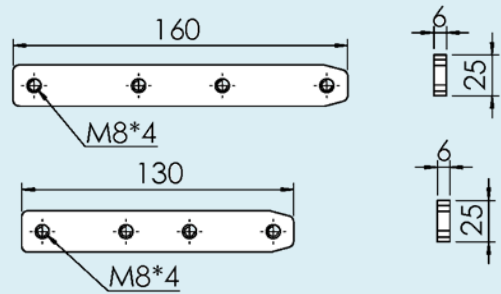
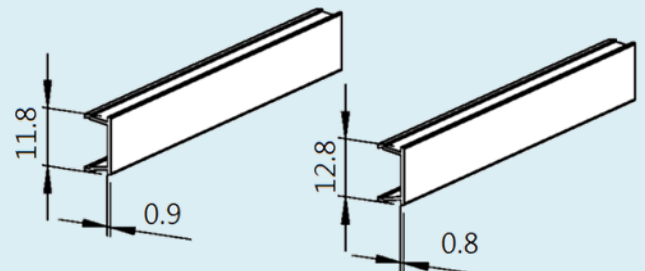
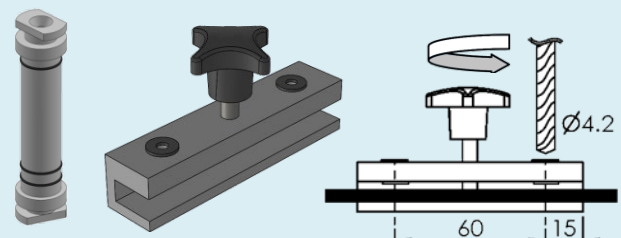


Conveyor beam

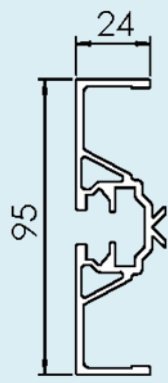
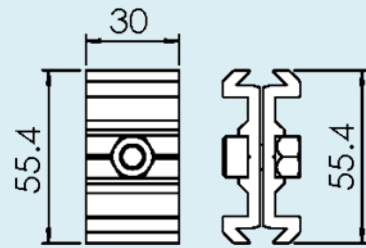
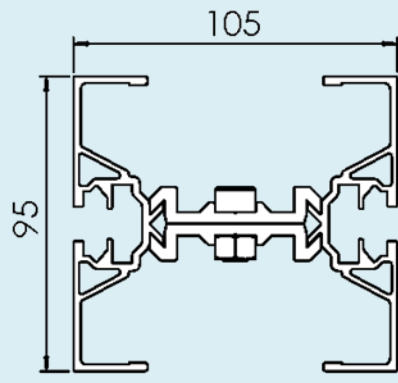
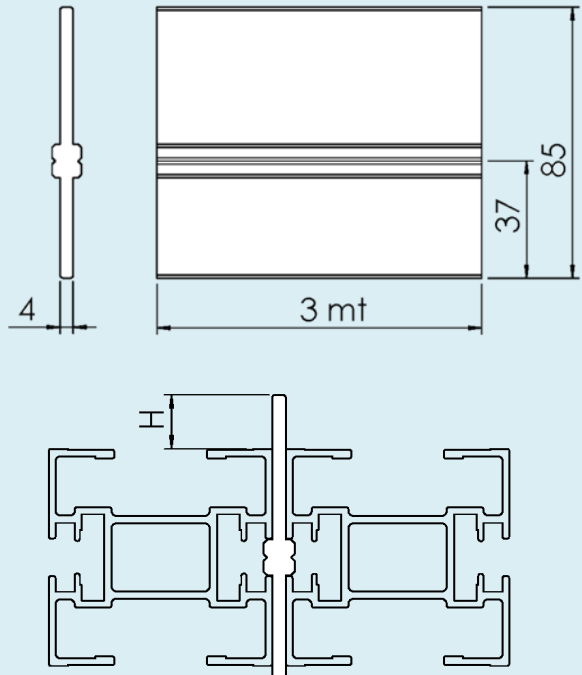


F45
FT
FS
FL
FLP
F65
FM
FMP
F85
F85P
FH
FK
FKP
FB140
FB175
FB295
SPIRAL
FW
FLX
FMX
FHX
FBX175
FBX295
ACC
CA
FC
TOOL
IDX

Conveyor beam

<p>Beam</p> <p>FKCB 3 Length 3 m</p>	
<p>Slide rail</p> <p>Length 25 m</p> <p>FKCR 25H HDPE +PA6 Gray FKCR 25U UHMW White FWCR 25P PVDF</p> <p>FLAH 4X8A Aluminium rivet</p> <p>FWAG 5 Plastic screw</p>	
<p>FKCC 200 Beam section for chain installation Including connection strips and screws</p>	
<p>Connecting strip with set screws</p> <p>FLCJ 6X160 Length 160 mm FLCJ 6X130 Length 130 mm</p>	
<p>T-slot cover</p> <p>FCAC 2 Aluminium Length 2 mt FCAC 3P Polyvinyl chloride Length 3 mt</p>	
<p>F3920500 Drill fixture for slide rail</p> <p>FKMR 200 Mounting tool</p>	<p>FKMR 200 F3920500</p> 

Conveyor beam

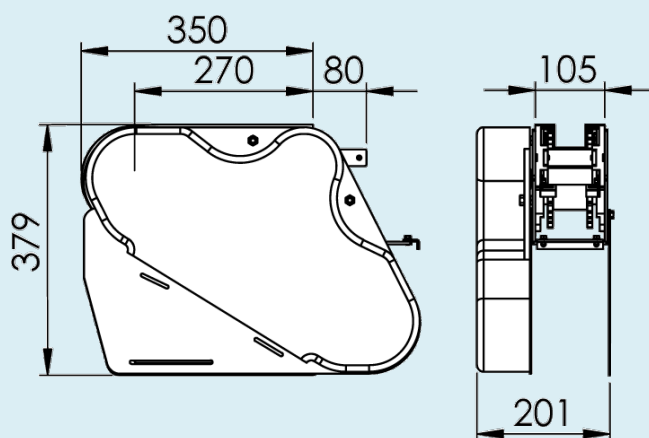
<p>Half beam FKCB 3H Length 3 m</p>		<p>F45 FT FS FL FLP F65 FM FMP</p>								
<p>Beam clip FKCE 55X30</p>		<p>F85 F85P FH FK FKP</p>								
<p>Split Conveyor beam assembled Length 3mt</p>		<p>FB140 FB175 FB295 SPIRAL FW FLX FMX</p>								
<p>Beam spacer FLCD 3 Aluminium, anodized Length 3mt</p>		<p>FHX FBX175 FBX295 ACC CA FC TOOL IDX</p>								
<table border="1"> <tr> <td>FS</td> <td>H=16.0mm</td> </tr> <tr> <td>FL/F65</td> <td>H=15.9mm</td> </tr> <tr> <td>FM/F85/FH</td> <td>H=10.5mm</td> </tr> <tr> <td>FK</td> <td>H=0.5mm</td> </tr> </table>	FS	H=16.0mm	FL/F65	H=15.9mm	FM/F85/FH	H=10.5mm	FK	H=0.5mm		
FS	H=16.0mm									
FL/F65	H=15.9mm									
FM/F85/FH	H=10.5mm									
FK	H=0.5mm									

End drive units



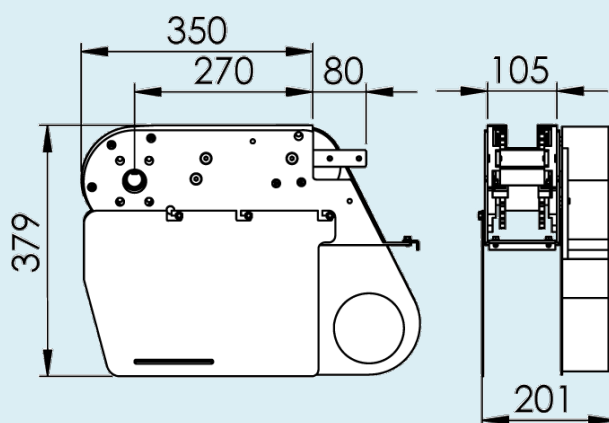
FKEB 0HLA

Drive unit
Transmission on
left-hand side



FKEB 0HRA

Drive unit
Transmission on
right-hand side



Maximum weight on conveyor : 800 kg

Maximum conveyor length : 40 M

Maximum conveyor speed : 50 M/min

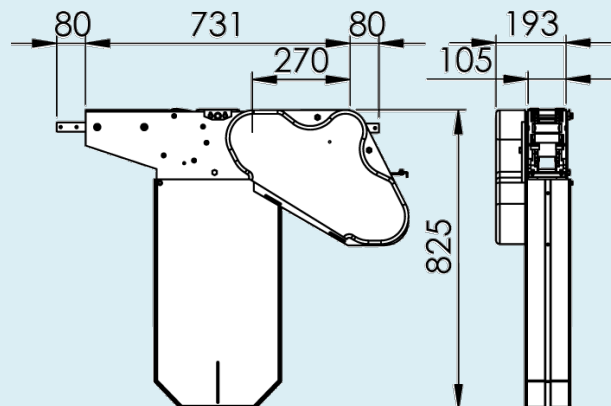
Catenary drive units



F45
FT
FS
FL
FLP
F65
FM
FMP
F85
F85P
FH

FKEC 0HL

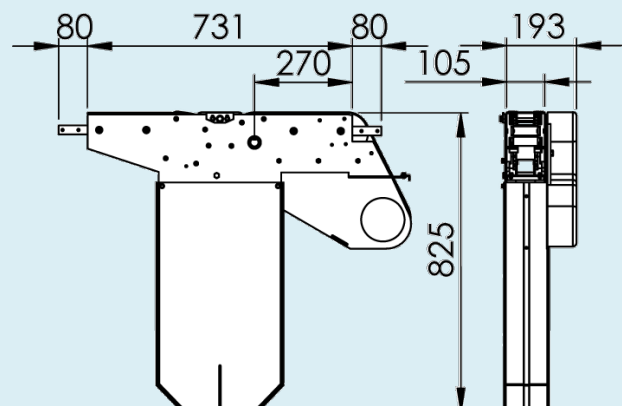
Drive unit
Transmission on
left-hand side



FK
FKP
FB140
FB175
FB295
SPIRAL
FW
FLX
FMX

FKEC 0HR

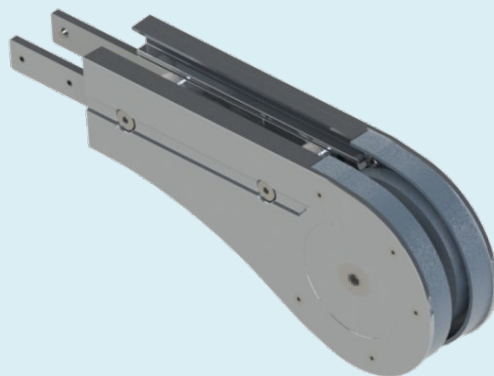
Drive unit
Transmission on
right-hand side



FHX
FBX175
FBX295
ACC
CA
FC
TOOL
IDX

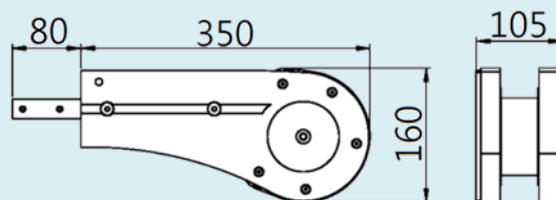
Maximum weight on conveyor : 800 kg
Maximum conveyor length : 40 M
Maximum conveyor speed : 50 M/min

Idler end units



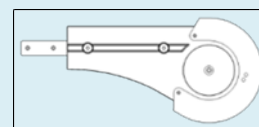
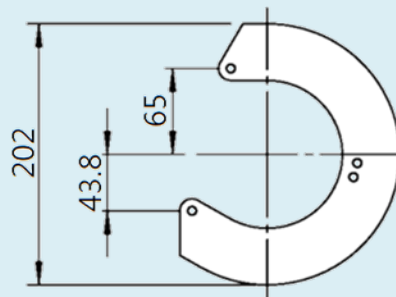
FKEJ 350

Idler end unit

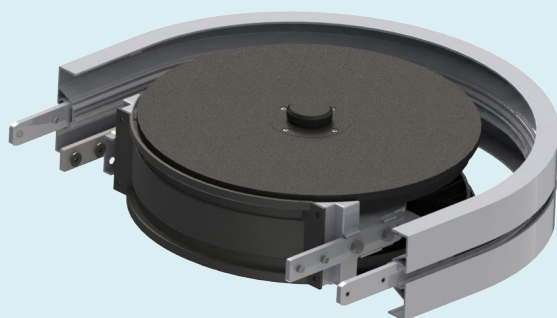


FKSJ 202

Protective cover for idler end nit



Horizontal wheel bends



F45

FT

FS

FL

FLP

F65

FM

FMP

F85

F85P

FH

FK

FKP

FB140

FB175

FB295

SPIRAL

FW

FLX

FMX

FHX

FBX175

FBX295

ACC

CA

FC

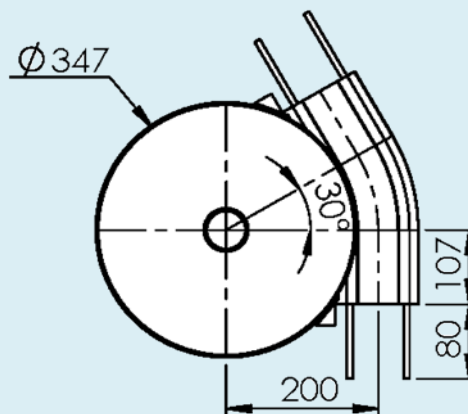
TOOL

IDX

Horizontal wheel bends

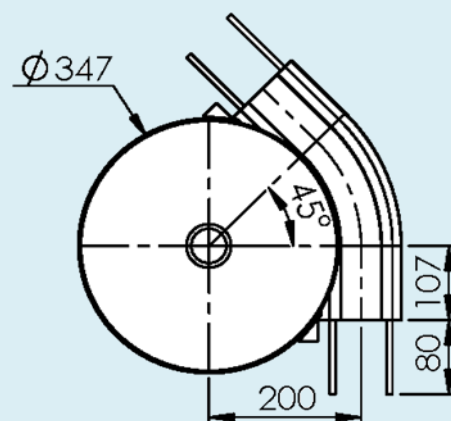
Horizontal wheel bend, 30°

FKBH 30R200 Radius to centre of chain 200 mm with protective cover



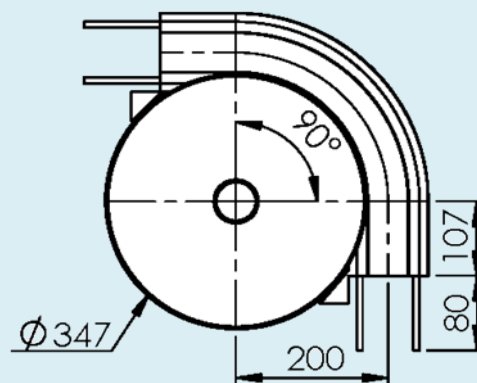
Horizontal wheel bend, 45°

FKBH 45R200 Radius to centre of chain 200 mm with protective cover



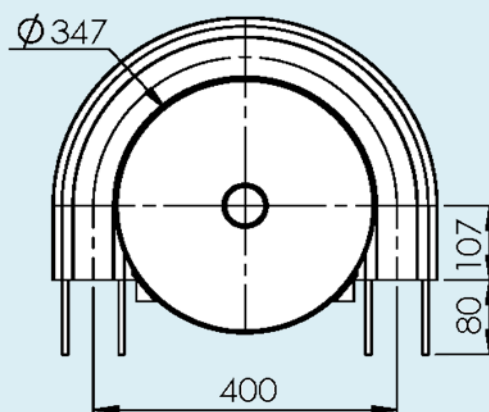
Horizontal wheel bend, 90°

FKBH 90R200 Radius to centre of chain 200 mm with protective cover

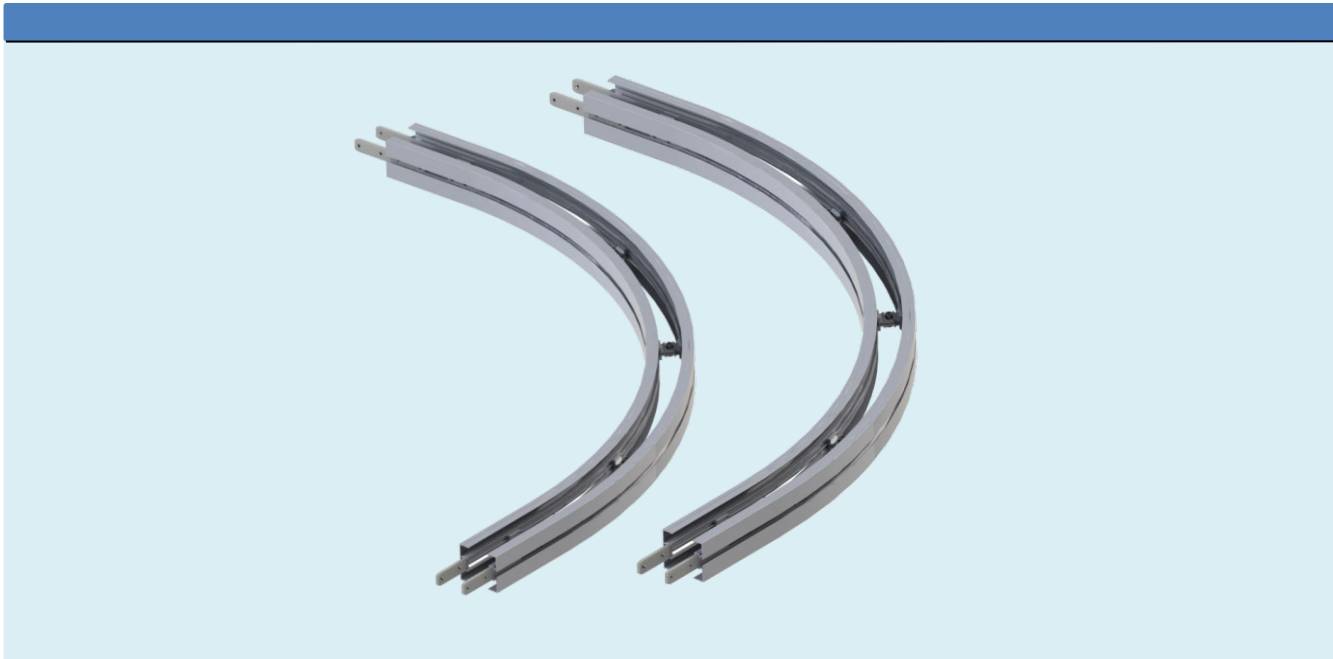


Horizontal wheel bend, 180°

FKBH 180R200 Radius to centre of chain 200 mm with protective cover



Horizontal plain bends



F45

FT

FS

FL

FLP

F65

FM

FMP

F85

F85P

FH

FK

FKP

FB140

FB175

FB295

SPIRAL

FW

FLX

FMX

FHX

FBX175

FBX295

ACC

CA

FC

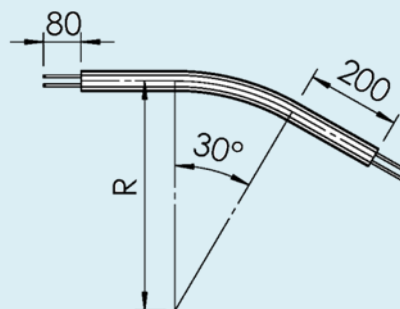
TOOL

IDX

Horizontal plain bends

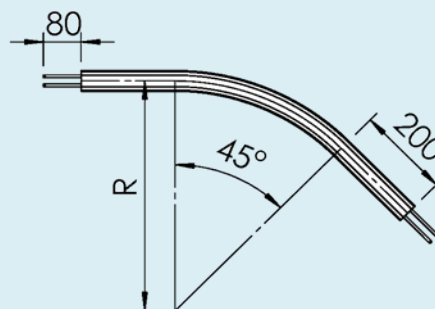
Horizontal plain bend, 30°
Radius to centre of beam:

FKBP 30R500	R=500 mm
FKBP 30R700	R=700 mm
FKBP 30R1000	R=1000mm



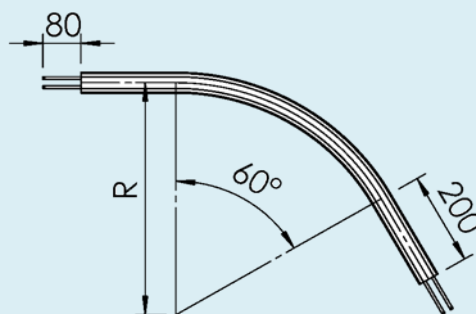
Horizontal plain bend, 45°
Radius to centre of beam:

FKBP 45R500	R=500 mm
FKBP 45R700	R=700 mm
FKBP 45R1000	R=1000mm



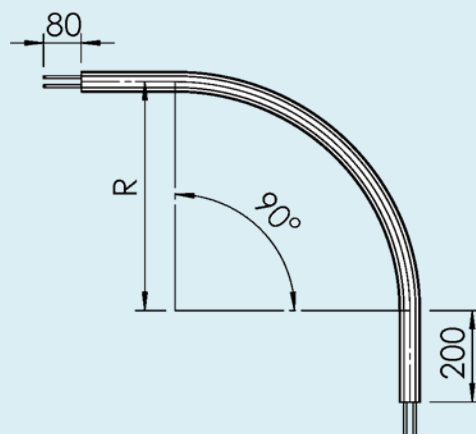
Horizontal plain bend, 60°
Radius to centre of beam:

FKBP 60R500	R=500 mm
FKBP 60R700	R=700 mm
FKBP 60R1000	R=1000mm

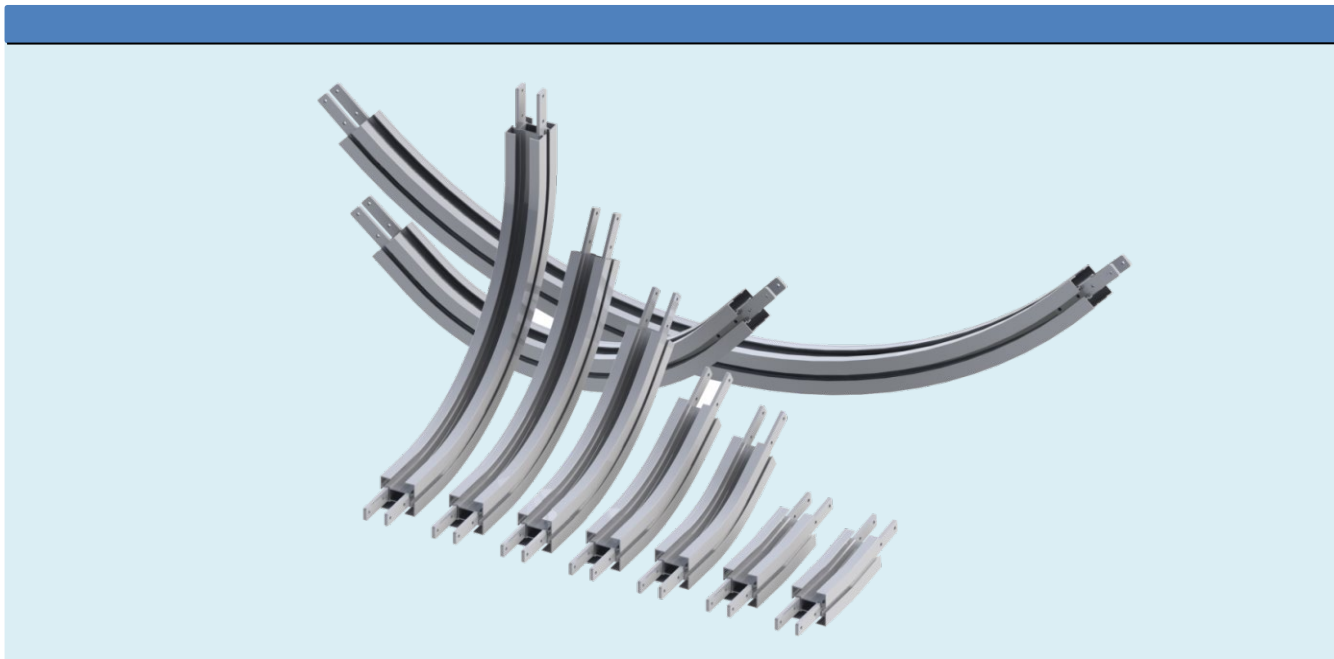


Horizontal plain bend, 90°
Radius to centre of beam:

FKBP 90R500	R=500 mm
FKBP 90R700	R=700 mm
FKBP 90R1000	R=1000mm



Vertical bends



F45
FT
FS
FL
FLP
F65
FM
FMP
F85
F85P
FH
FK
FKP
FB140
FB175
FB295
SPIRAL
FW
FLX
FMX
FHX
FBX175
FBX295
ACC
CA
FC
TOOL
IDX

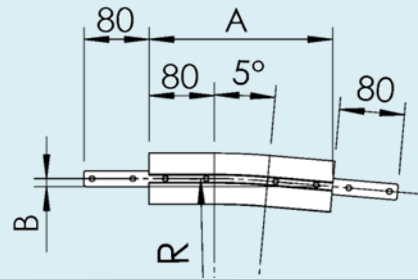
Vertical bends

Vertical bend, 5°

Radius to centre of beam:

FKBV 5R750

R=750 mm

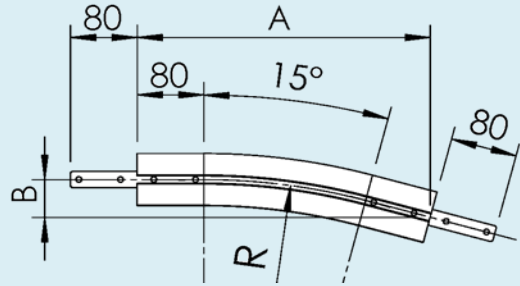


Vertical bend, 15°

Radius to centre of beam:

FKBV 15R750

R=750 mm

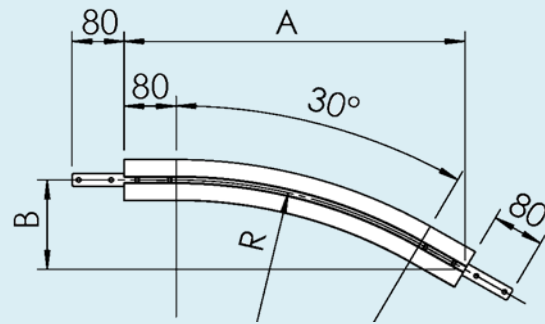


Vertical bend, 30°

Radius to centre of beam:

FKBV 30R750

R=750 mm

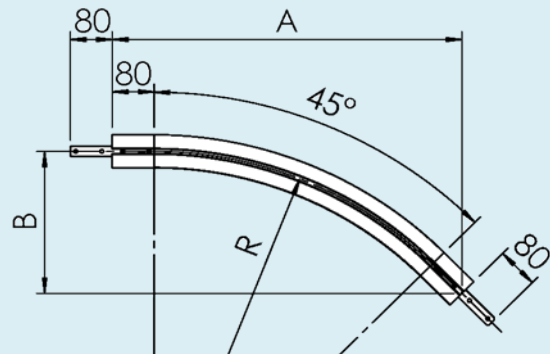


Vertical bend, 45°

Radius to centre of beam:

FKBV 45R750

R=750 mm

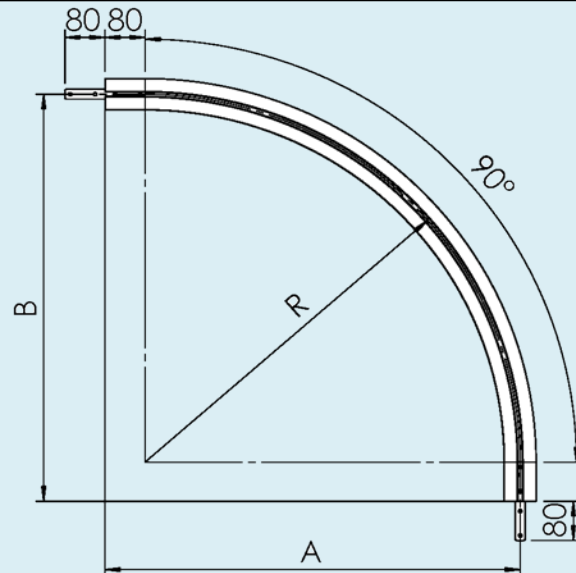


Vertical bend, 90°

Radius to centre of beam:

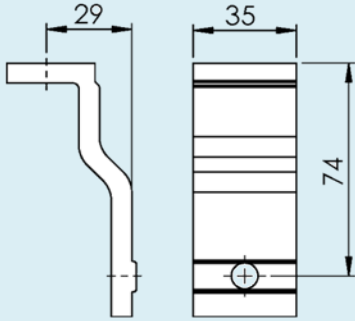
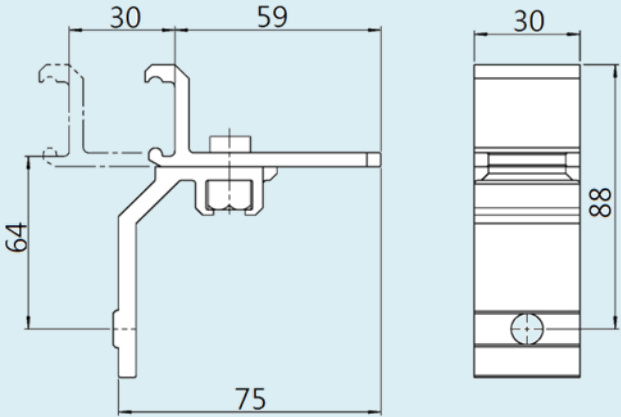
FKBV 90R750

R=750 mm



* Note: Special angles on request.

Guide rail brackets

<p>FKRB 30X74 Guide rail bracket for FK pallets</p>		<p>F45 FT FS FL FLP F65 FM FMP</p>
<p>FLRA 16X30X64 Adjustable guide rail bracket assembly Including bolt and nut</p>		<p>F85 F85P FH FK FKP FB140 FB175 FB295 SPIRAL FW</p>
		<p>FLX FMX FHX FBX175 FBX295 ACC CA FC TOOL IDX</p>

